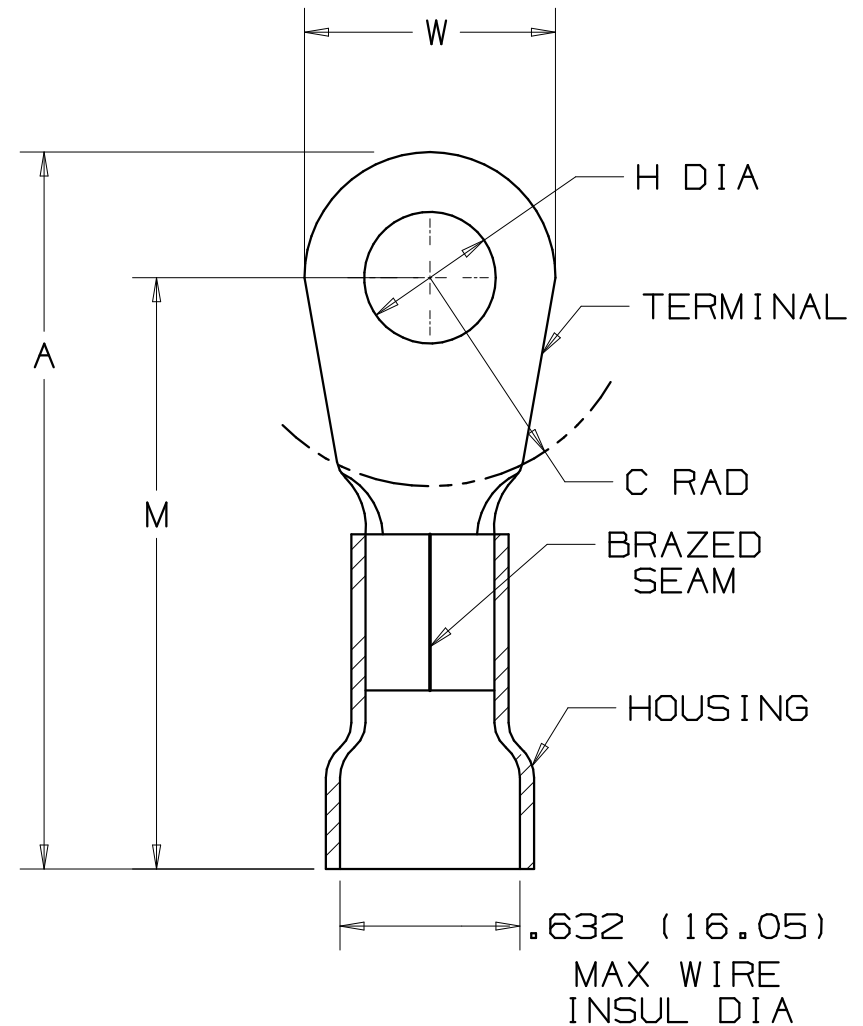


PANDUIT PART NUMBER		STUD SIZE	DIMENSIONS in.				
PREFIX	PK		A ±.020	W ±.010	C ±.015	M ±.020	H ±.010
PV2-10RX	-XY -TY	#10	1.94 (49.28)	.68 (17.27)	.58 (14.73)	1.60 (40.64)	.20 (5.08)
PV2-14RX	-XY -TY	1/4"	1.94 (49.28)	.68 (17.27)	.58 (14.73)	1.60 (40.64)	.27 (6.86)
PV2-56RX	-XY -TY	5/16"	1.94 (49.28)	.68 (17.27)	.58 (14.73)	1.60 (40.64)	.33 (8.38)
PV2-38RX	-XY -TY	3/8"	1.94 (49.28)	.68 (17.27)	.58 (14.73)	1.60 (40.64)	.39 (9.91)
PV2-12RX	-XY -TY	1/2"	2.03 (51.56)	.86 (21.84)	.58 (14.73)	1.60 (40.64)	.52 (13.21)

NOTES:

- UL LISTED FOR:
 - 600V MAX VOLTAGE RATING
 - 221° F (105° C) MAX TEMP RATING
 - #2 AWG STRANDED COPPER WIRE
- PACKAGE QTY: STD. PKG. -X = 10
BULK PKG. -T = 200, -TY = 200
- MATERIAL:
 - STAMPING - .060" (15.2) THK COPPER, TIN PLATED
 - HOUSING - VINYL, RED
- DIMENSIONS IN BRACKETS ARE IN MILLIMETERS
- INSTALLATION TOOL: CT-720



LISTED
2013
E79522

A41220_05

05	8/06	DAW	DAW	ADDED -XY PKG. CODE, REMOVED -X	TRO0156		LCA	TRO		TINLEY PARK, ILLINOIS		
04	5/05	JHNL		ADDED PACKAGING CODE "TY" TO DRAWING.								
03	1/01	RM	SKB	FILESPEC WAS A41220A:1L1	08937	---	JAC	CCH	#2 BARREL VINYL INSULATED RING TONGUE .632 (16.05) MAX. WIRE INSUL. DIAMETER			
2	7-88	DW		REDRAWN WITH REVISIONS								
REV	DATE	BY	CHK	DESCRIPTION	ECN#	QA	CUST	PM	DRAWN BY DAW	CHK'D	SCALE NONE	DRAWING NO. A41220